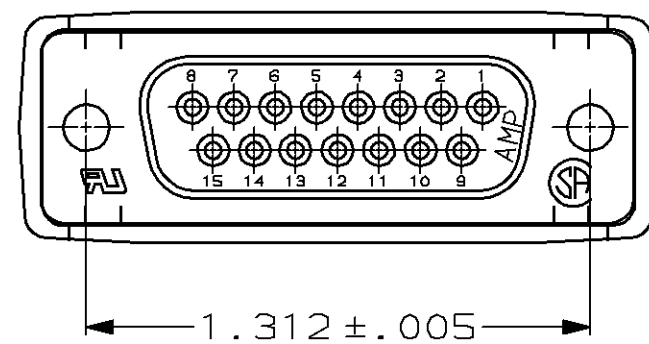
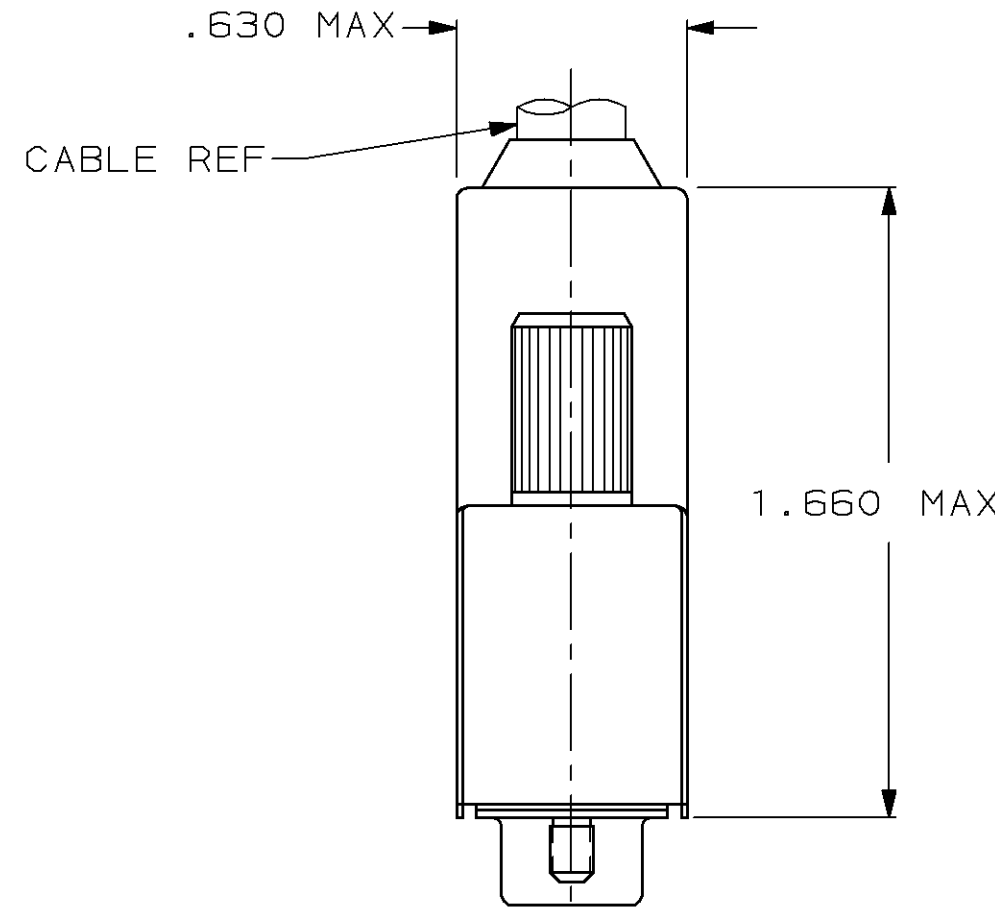
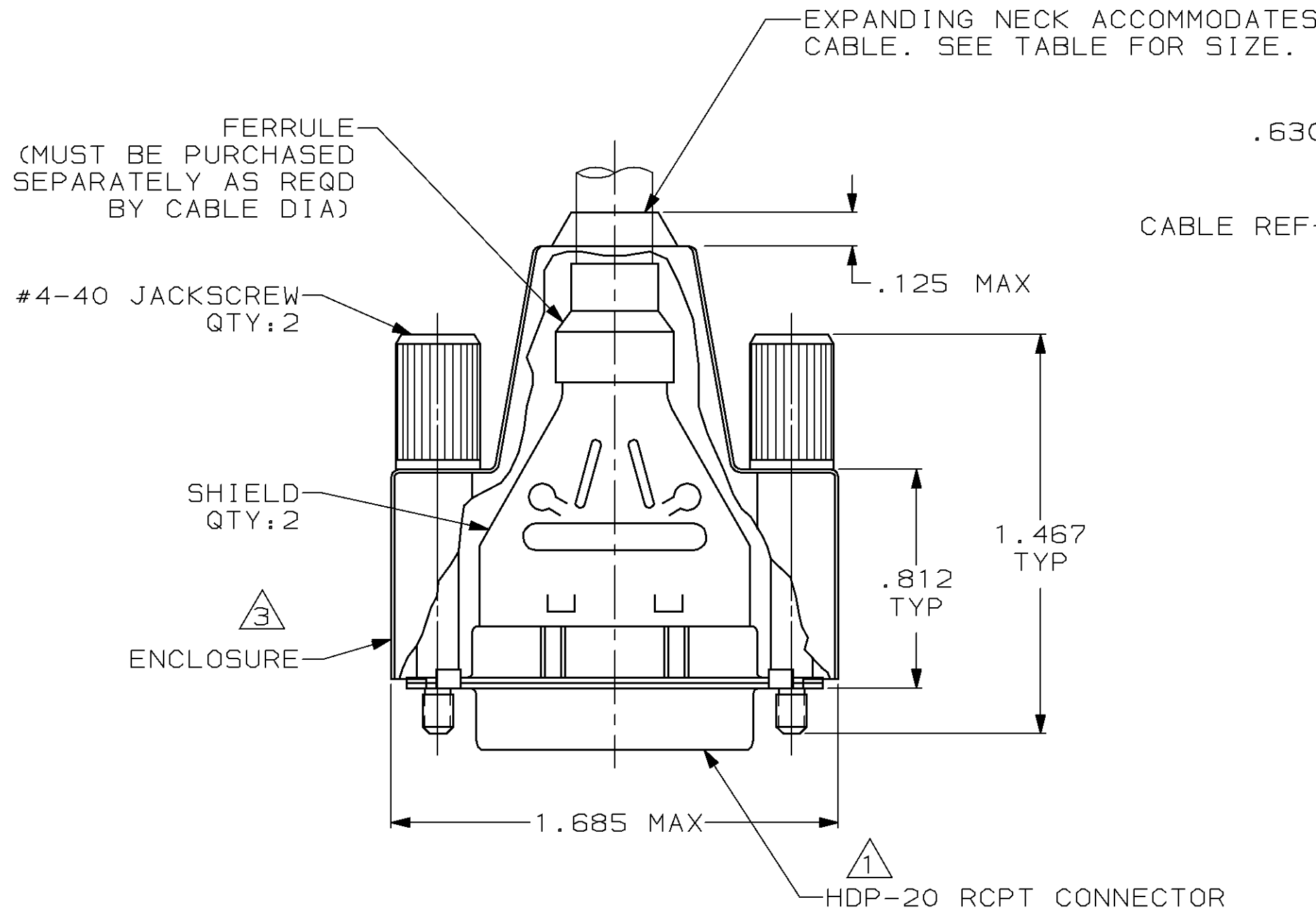


THIS DRAWING IS UNPUBLISHED. RELEASED FOR PUBLICATION
 © COPYRIGHT 19 BY AMP INCORPORATED. ALL INTERNATIONAL RIGHTS RESERVED.

LOC	DIST	P	F	ZONE	LTR	REVISIONS	DATE	APPD
BD	48					DESCRIPTION		
					F	ADDED -6, WAS 90-5848-14-3 & REDRAWN PER NPR 3091	6-4-90	-
					G	REV PER ECN BD4814	05/31/91	-
					H	REV PER ECN BD5049	7-2-91	TS
					J	ADDED-7 NPR 3712, WAS 91-5848-2-1	08/30/91	TMS
					K	REVISED PER ECN BD6133	04/02/92	TMS
					L	OBS -2, -4 PER ECN BD6177	06/18/92	TS
					M	ADDED -8 PER NPR 4263	07/10/92	SB
					N	REACTIVATED -2 EC 0020-1274-93	10/01/93	SB
					P	OBS -6 PER EC 0020-1514-93	04/15/94	LF
					R	ADDED -9 PER EC 0020-40-95	01/18/95	JS
					S	REV PER EC 0020-373-95	04/25/95	JS
					T	REV PER EC 0020-602-95	06/13/95	JS
					U	REV PER EC 0020-1011-95	13 OCT 95	JCS
					V	OBS -3, -7 PER EC 0020-724-95	11 MAR 96	JCS
					W	OBS -2 PER EC 0020-524-96	23 AUG 96	LF
					Y	OBS -9 PER EC 0420-143-96	10 NOV 97	SB



- ① RCPT ACCEPTS SIZE 20 DF SOCKET CONTACTS. CONTACTS MUST BE PURCHASED SEPARATELY.
- 2. ALL PARTS SHIPPED UNASSEMBLED.
- ③ FLAME RETARDANT 94V-0 RATED, STYRENE POLYOLEFIN OR PVC, BLACK.
- ④ FLAME RETARDANT 94V-0 RATED GLASS FILLED, NYLON OR POLYESTER, BLACK.
- ⑤ STEEL PER ASTM A109.
- ⑥ TIN PLATING PER MIL-T-10727.
- ⑦ BODY: BLACK ELECTROLESS NICKEL PER QQ-N-290.
- ⑧ COMPONENTS INDIVIDUALLY BULK PACKED.
- ⑨ INDIVIDUAL KIT PACKAGING OF COMPONENTS.
- ⑩ SEE RESTRICTED CUSTOMER DRAWING 747953-8.
- ⑪ ZINC ALLOY.
- ⑫ BODY: CARBON STEEL PER ASTM A 108. HEAD: PVC 94V-0 RATED, BLACK.
- ⑬ PHOS-E COATING, BLACK.

OBSOLETE	CABLE SIZE	PACKAGING	ENCLOSURE WITH MOUNTING HOLES	JACKSCREWS	JACKSCREWS FINISH	JACKSCREWS MATERIAL	WITH LOGO	PART NO
	.190-.375 DIA	⑧	YES	YES	⑦	⑫	YES	747953-9
	-	-	-	-	-	-	-	⑩
OBSOLETE	.250-.425 DIA	⑧	YES	YES	⑬	⑪	YES	747953-7
OBSOLETE	.190-.375 DIA	⑧	YES	NO	-	-	NO	747953-6
OBSOLETE	.190-.375 DIA	⑨	YES	YES	⑬	⑪	YES	747953-5
OBSOLETE	.190-.375 DIA	⑧	NO	NO	-	-	NO	747953-4
OBSOLETE	.190-.375 DIA	⑧	NO	NO	-	-	YES	747953-3
OBSOLETE	.190-.375 DIA	⑧	YES	YES	⑬	⑪	NO	747953-2
OBSOLETE	.190-.375 DIA	⑧	YES	YES	⑬	⑪	YES	747953-1

CABLE SIZE	PACKAGING	ENCLOSURE WITH MOUNTING HOLES	JACKSCREWS	JACKSCREWS FINISH	JACKSCREWS MATERIAL	WITH LOGO	PART NO
DO NOT SCALE PRINT. UNLESS SPECIFIED DIMENSIONS IN INCHES TOLERANCES ON :		DR 6-4-90 J GALLUCCI BG		AMP INCORPORATED Harrisburg, Pa. 17105			
2 PLC DEC ± -		CHK 8-22-90 J. McCLINTON					
3 PLC DEC ± .020		APPD 8-23-90 BOB TAYLOR		NAME BULK KIT, RCPT, AMPLIMIT™, SHIELDING ENCLOSURE, 15 POSN, SIZE 2, HDP-20			
ANGLES ± -		APPD 8-23-90 J. ASSINI					
MATERIAL		PRODUCT SPEC		SIZE C 00779			
INSERT: ④		-					
SHELLS & SHIELDS: ⑤		APPLICATION SPEC		DRAWING NO		747953	
JACKSCREWS: SEE TABLE		-		SCALE			
FINISH		WEIGHT		2:1		SHEET	
SHELLS & SHIELDS: ⑥		-		-		1 OF 1	
JACKSCREWS: SEE TABLE		-		-		-	